

'LGM' LEVEL GAUGE MANIFOLD

Innovative solution for quick & clean replacement of broken Level Gauges

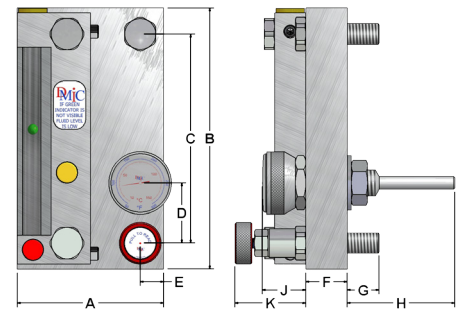


DMIC 'LGM' is a manifold with positive shutoff valve(s). Mounts to reservoir, allowing Level Gauge to be replaced, with minimal fluid leakage. Top shutoff valve (optional) stops leakage if the reservoir fluid level is above the top level gauge bolt.

- Made from 6061-T6 Aluminum and clear Anodized
- Shown with optional thermometer & well, factory option on the 'LGM'. Use separately for remote thermometer mounting

Dimension Views/Ordering Codes

LGM	Dimensions (inches)									
	A Body Width	B Body Height	C Mounting Centers	D Mounting to Thermometer Center	E Side to Mounting Centers	F Body Width	G Thread Depth	H Themo Depth	J Face to Thermo Face	K Face to Shutoff
LGM-5000	3.50	6.25	5.00	1.44	0.56	0.99	0.76	2.57	1.04	1.69
LGM-A000	3.50	11.50	10.00	1.44	0.56	0.99	0.76	2.57	1.04	1.69



Nominal Size Code	
Code	Description
3000	3" Bolt Cntr
5000	5" Bolt Cntr
A000	10" Bolt Cntr

Body Material	
Code	Description
4	Aluminum

Sealing	
Code	Description
1	Buna-N
2	EPR
3	Viton
4	Teflon

"C" Thread (see specs)	
Code	Description
1	½"-13 UNC
2	½"-20 UNC
3	M12 Metric

Manifold Mounting Bolts	
Code	Description
1	½"-13 UNC
2	½"-20 UNC
3	M12 Metric

Shutoff Option	
Code	Description
A	Stabdard(bottom)
B	Top & Bottom

Level Gauge included	
Code	Description
Z	None
D	DMIC 'LGD'
A	DMIC 'LGA'

Thermometer Option	
Code	Description
Z	No Thermometer
A	Provision
B	1-3/8" Themometer

LGM - 5000 - 4 1 1 1 A Z Z

Due to our policy of continual product improvement, the specifications in this catalog may change without notice. When designing by spec, please request a certified print.

